

Isovalve™ / Products / Appliance Taps

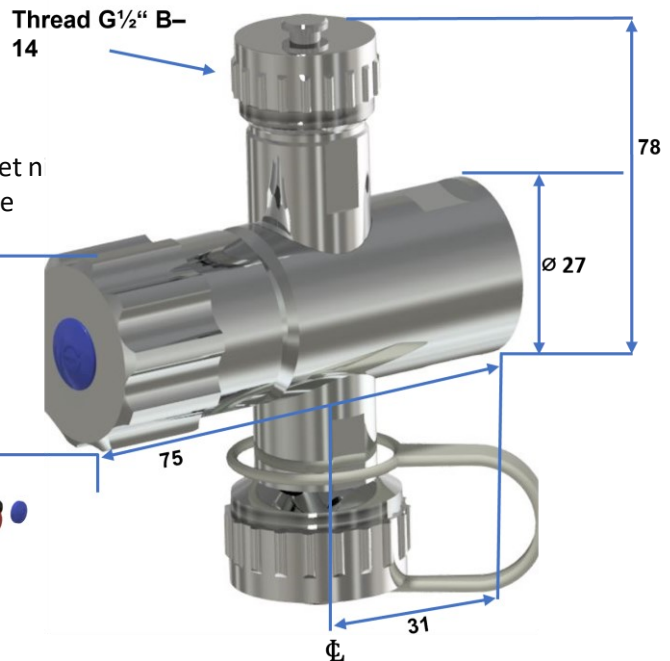
IsoTap™ Appliance Tap FEMALE 20mm & 15mm Outlets Product Code IsoAppTap2015



FEATURES

- Dual outlet with 20mm and 15mm outlet nipples
- **Stainless steel Inline filter** to comply with **new tapware warranty** conditions
- **Removable and interchangeable** outlet nipples (10mm, 15mm and 20mm outlet nipples available)
- Needle valve for excellent **flow control**
- **Inline filter**
- **Hot and cold indicators** included
- Conventional tap handle
- 15mm and 20mm brass cap with rubber keeper
- DZR brass, chrome plated
- Can be used as a test plug when the handle and outlet n are removed – store handle and nipple safely and use masking tape to protect chrome.

MASTER ASSEMBLY DETAIL



BUILD OF MATERIALS

Brass:	DZR brass 352 precision machined bar
O-rings:	Twin nitrile O-rings Durometer Hardness Duro 70
Washer:	Acetyl
Surface finish:	Chrome plating
Filter:	Nylon PA-66 & 304 stainless steel 40x40 mesh aperture 0.42mm

IsoTap™ and accessories are manufactured and certified to comply with ATS5200.012; AS3688:2005; and ISO5208. DZR brass complies with AS2345.

IsoTap™ Appliance Tap FEMALE

20mm & 15mm Outlets

Product Code IsoAppTap2015



TECHNICAL SPECIFICATION

IsoAppTap2015

Operating pressure:

Min 20kPa to Max 1600kPa.

Low pressure:

Maximum pressure test for pipework pressure testing – up to 2000kPa.

For water pressures below 35kPa remove inline filter – Isovalve™ will have no effect on final flow rates when installed prior to a typical ceramic disc mixer.

At 20kPa a single IsoTap™ will deliver a maximum flow of 6.5L/min.

Operating pressure:

At an operating pressure of 500kPa, a single Isovalve™ can deliver a maximum flow of approximately 33L/min.

Operating temperature range:

Short term minimum 0°C to maximum 90°C. Extended term 60°C.

Guarantee:

Every IsoTap™ is factory tested before packing. IsoTap™ is guaranteed against defective parts for a period of 5 (five) years.

For more information on IsoTap™, or to download technical information, visit the website www.isovalve.com

IsoTap™ and Isovalve™ are registered trademarks of Isotec Ltd.

INSTALLATION INSTRUCTIONS

IsoAppTap2015

Conventional Install:

Slide Wall Flange(IsoWFF) over IsoTap™

Apply sealant to male thread and screw on no more than 10mm **DO NOT OVER-TIGHTEN**

If using 15mm and 20mm brass caps, please ensure they are tool tightened and water-tight.

If using optional second outlet, remove plug with 4mm Allen Key. Install selected nipple.

OR

Use IsoTap™ both as a tap and a temporary test plug.

The IsoTap™ Range can be used in place of a test plug by simply removing the outlet nipple and tap handle, leaving a cylindrical / lineal plug that can easily have wall linings etc drilled and installed over.

Instructions at Pre-Line Stage

Remove outlet nipple and tap handle.

Store carefully ensuring O-rings are not lost.

Plan installation considering finished wall thickness with outlet nipple.

Apply sealant and screw on IsoTap™.

Ensure IsoTap™ is closed and turn on water supply.

IsoTaps can be used to pressure test to 2000 kpa and to flush out pipework. Protect chrome IsoTap™ with masking tape.

Instructions at Final Fit Off

There is no need to turn the water off at a remote Location.

Slide on wall flange (IsoWFF) Screw on IsoNipple ensuring O-ring and sealing surface is clean. Attach IsoTap™ handle. Connect fixture. Turn on water at the IsoTap™. Adjust water to desired flow and commission.

10mm (IsoN10), 15mm (IsoN15) & 20mm (IsoN20) outlet nipples are available, enabling various configurations to suit