

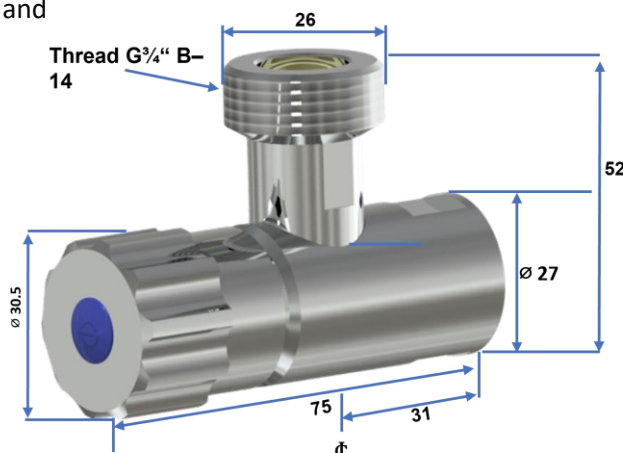
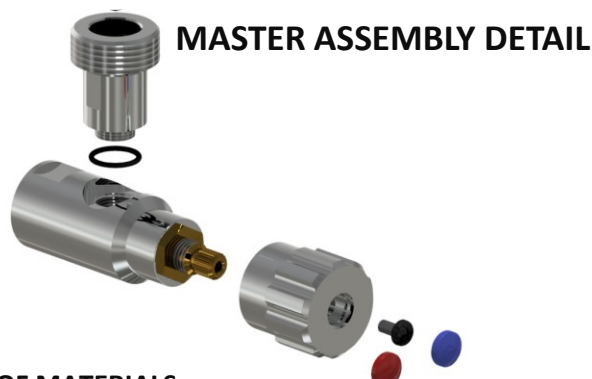
Isovalve™ / Products / Taps

IsoTap™ Female
20mm Outlet
Product Code IsoTap20



FEATURES

- **Stainless steel Inline filter** to comply with **new tapware warranty** conditions
- **Removable and interchangeable** outlet nipples (10mm, 15mm and 20mm outlet nipples available)
- Needle valve for excellent **flow control**
- **Inline filter**
- **Hot and cold indicators** included
- Ideal as a **fully exposed washing machine tap** (note: if you carry IsoN15 (15mm nipples) you have a cistern tap)
- Conventional tap handle
- DZR brass, chrome plated
- Can be used as a test plug when the handle and outlet nipple are removed – store handle and nipple safely and use masking tape to protect chrome.



BUILD OF MATERIALS

Brass:	DZR brass 352 precision machined bar
O-rings:	Twin nitrile O-rings Durometer Hardness Duro 70
Washer:	Acetyl
Surface finish:	Chrome plating
Filter:	Nylon PA-66 & 304 stainless steel 40x40 mesh aperture 0.42mm

IsoTap™ and accessories are manufactured and certified to comply with AT5200.012; AS3688:2005; and ISO5208. DZR brass complies with AS2345.



IsoTap™ Female 20mm Outlet Product Code IsoTap20

TECHNICAL SPECIFICATION

IsoTap20

Operating pressure:	Min 20kPa to Max 1600kPa. Maximum pressure test for pipework pressure testing – up to 2000kPa.
Low pressure:	For water pressures below 35kPa remove inline filter – Isovalve™ will have no effect on final flow rates when installed prior to a typical ceramic disc mixer. At 20kPa a single IsoTap™ will deliver a maximum flow of 6.5L/min.
Operating pressure:	At an operating pressure of 500kPa, a single Isovalve™ can deliver a maximum flow of approximately 33L/min.
Operating temperature range:	Short term minimum 0°C to maximum 90°C. Extended term 60°C.
Guarantee:	Every IsoTap™ is factory tested before packing. IsoTap™ is guaranteed against defective parts for a period of 5 (five) years.

For more information on IsoTap™, or to download technical information, visit the website www.isovalve.com
IsoTap™ and Isovalve™ are registered trademarks of Isotec Ltd.

INSTALLATION INSTRUCTIONS

IsoTap20

Conventional Install:

Slide Wall Flange(IsoWFF) over IsoTap™
Apply sealant to male thread and screw on no more than 10mm **DO NOT OVER-TIGHTEN**

OR

Use IsoTap™ both as a tap and a temporary test plug.

The IsoTap™ Range can be used in place of a test plug by simply removing the outlet nipple and tap handle, leaving a cylindrical / lineal plug that can easily have wall linings etc drilled and installed over.

Instructions at Pre-Line Stage

Remove outlet nipple and tap handle.
Store carefully ensuring O-rings are not lost.
Plan installation considering finished wall thickness with outlet nipple.
Apply sealant and screw on IsoTap™.
Ensure IsoTap™ is closed and turn on water supply. IsoTaps can be used to pressure test to 2000 kpa and to flush out pipework. Protect chrome IsoTap™ with masking tape.

Instructions at Final Fit Off

There is no need to turn the water off at a remote Location.
Slide on wall flange (IsoWFF) Screw on IsoNipple ensuring O-ring and sealing surface is clean. Attach IsoTap™ handle. Connect fixture. Turn on water at the IsoTap™. Adjust water to desired flow and commission.

10mm (IsoN10), 15mm (IsoN15) & 20mm (IsoN20) outlet nipples are available, enabling various configurations to suit