

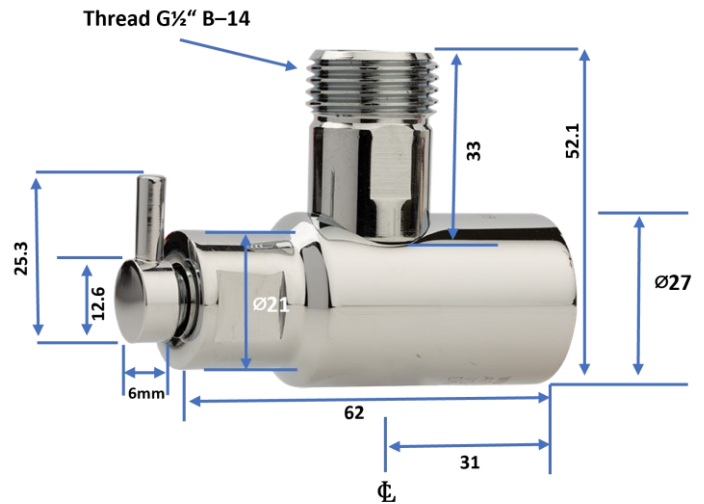
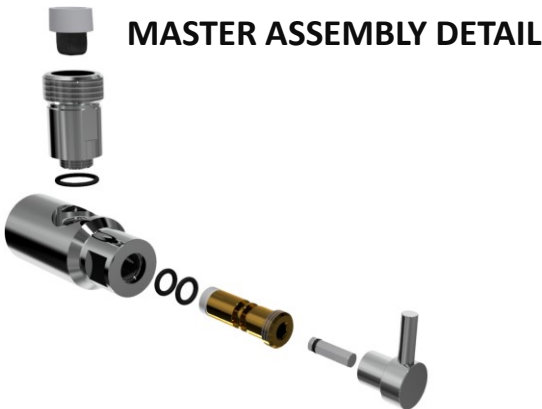
Isovalve™ / Products / Valves



Isovalve™ Female
15mm Outlet
Product Code IsoVF

FEATURES

- Needle valve for excellent **flow control** and fixture **isolation**
- **Stainless steel Inline filter** to comply with **new tapware warranty** conditions
- Able to be used as a **test plug** – pressure test pipework up to 2,000kPa.
- Able to be made **tamper-proof** (remove the handle)
- Removable and **interchangeable outlet nipples** (10mm, 15mm and 20mm outlet nipples available)
- Aesthetically pleasing
- DZR brass, chrome plated
- NZ Patented design #545900
- Carries Watermark Certification



BUILD OF MATERIALS

Brass:	DZR brass 352 precision machined bar
O-rings:	Twin nitrile O-rings Durometer Hardness Duro 70
Washer:	Acetyl
Surface finish:	Chrome plating
Filter:	Nylon PA-66 & 304 stainless steel 40x40 mesh aperture 0.42mm

Isovalve™ and accessories are manufactured and certified to comply with ATSS200.012; AS3688:2005; and ISO5208. DZR brass complies with AS2345.



WM-022069

WMTS-012

Isovalve™ Female
15mm Outlet
Product Code IsoVF



TECHNICAL SPECIFICATION

IsoVF	
Operating pressure:	Min 20kPa to Max 1600kPa. Maximum pressure test for pipework pressure testing – up to 2000kPa.
Low pressure:	For water pressures below 35kPa remove inline filter – Isovalve™ will have no effect on final flow rates when installed prior to a typical ceramic disc mixer. At 20kPa a single Isovalve™ will deliver a maximum flow of 6.5L/min.
Operating pressure:	At an operating pressure of 500kPa, a single Isovalve™ can deliver a maximum flow of approximately 33L/min.
Operating temperature range:	Short term minimum 0°C to maximum 90°C. Extended term 60°C.
Guarantee:	Every Isovalve™ is factory tested before packing. Isovalve™ is guaranteed against defective parts for a period of 5 (five) years.

For more information on Isovalve™, or to download technical information, visit the website www.isovalve.com
Isovalve™ and IsoTap™ are registered trademarks of Isotec Ltd.

INSTALLATION INSTRUCTIONS

IsoVF

Installing Isovalve™ in place of a Temporary Test Plug (First Fix)

The water mains need to be turned off for this part of the installation

Plan installation so the IsoNipple (outlet) will be clear of wall lining or joinery. This may require an extension socket or the fixing for the bracket elbow may need to be brought forward.

Remove protective sleeve, apply sealant to threads as required and tighten the Isovalve™ with a wrench.

Ensure Isovalve™ is off by inserting Allen Key supplied – turn the valve in a clockwise direction.

Ensure all pipework is complete and sealed off. Turn water mains back on; check for leaks. Isovalve™ enables you to flush out pipework at this stage. This is recommended as this removes foreign objects that will damage tapware and appliances. Pipework can be pressure tested through Isovalve™ up to 2000kPa.

Slide on protective sleeve. Store the IsoKey (handle) and IsoNipple until you are ready to fit fixtures.

Connecting the Isovalve™ to Fixtures (Second Fix)

Remove Protective Sleeve

Slide over IsoFlange

Screw in IsoNipple and secure O-ring seal with a wrench

Ensure IsoFilter is in place and attach pipework from appliance/fixture.

Turn on Isovalve™ with Allen Key to desired flow rate with water conservation in mind
Attach IsoKey (handle) or use tamper-proof dome.