

Isovalve™ / Products / Shower Elbows



iSet™ Shower Elbow DUAL Check Valve Product Code iSetSEDuCV

New Zealand PROVISIONAL PATENT Application No. 769859

© 2020 Isotec Ltd

FEATURES

- Comes with **Dual Check Valve** for protection from **low hazard backflow** situations enabling the shower elbow to be installed **lower** for improved use of shower
- Needle valve for excellent **flow control**
- Aesthetically pleasing
- DZR brass, chrome plated
- **New Zealand PROVISIONAL PATENT Application No. 769859**
- 4mm Allen Key
- By-pass port – ensures water cannot be shut off

iSet™ Shower Elbow – you set the flow!

Replace your existing shower elbow or the shower elbow on your new slide shower with an **iSet™ Shower Elbow** to give you control over the maximum flow.

For use with slide showers with high pressure hot water systems greater than 120kpa.

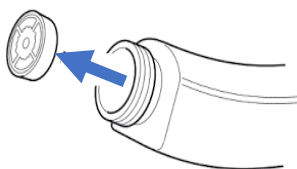
Some showers can flow at up to 20L/minute when 10 to 8L/minute can provide a very good shower. Many slide showers come with a flow restrictor – either in the handle of the hand shower piece or inside the existing shower elbow. These are often removed at the time of installation as customers want a good mains pressure shower. With the flow restrictor removed, the shower could flow at up to 20L/minute.

The **iSet™ Shower Elbow** gives you the ability to set your flow between full flow and 5L/minute depending on your own preference. All types of flow restrictors will cause some fluctuations when other taps are operated during showering – due to the water taking the least line of resistance – if this is the case the **iSet™ Shower Elbow** can be opened up a little more to prevent this happening.

Firstly check to see if your shower hand piece has a flow restrictor in it. For the **iSet™ Shower Elbow** to work at its full flow range it is best if this is removed.

Remove Flow Restrictor

Remove with needle nose pliers being careful not to damage the handpiece.





iSet™ Shower Elbow DUAL Check Valve

Product Code iSetSEDuCV

New Zealand PROVISIONAL PATENT Application No. 769859
© 2020 Isotec Ltd

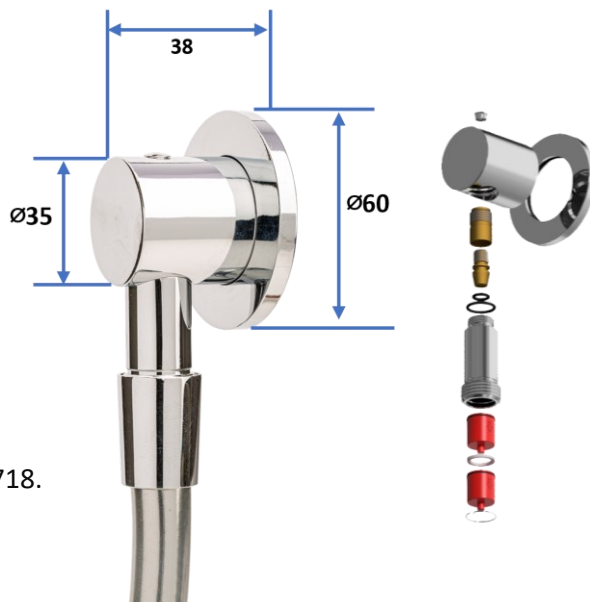
TECHNICAL SPECIFICATION

iSetSE	
Operating flow:	Full available flow down to 3L/minute
Operating temperature range:	Short term minimum 0°C to maximum 90°C. Extended term 60°C.
Guarantee:	Every iSet™ Shower Elbow is factory tested before packing. iSet™ is guaranteed against defective parts for a period of 5 (five) years.

BUILD OF MATERIALS

Brass:	DZR brass 352 precision machined
O-rings:	Nitrile O-rings Durometer Hardness Duro 70
Surface finish:	Chrome plating
Check Valves:	2 x Neoperl DW 15-GF-HF

iSet™ is manufactured to comply with AS/NZ4020 and AS/NZ 3718.
DZR brass complies with AS2345.
Dual Check Outlet complies with AS/NZ 2845-1.



MASTER ASSEMBLY DETAIL

OPERATIONAL INSTRUCTIONS

The **iSet™ Shower Elbow** comes fully open giving your shower full flow.

To adjust the flow of the **iSet™ Shower Elbow**:

1. Remove the dome with a blunt blade (something that will not scratch the chrome). This will give you access to the 4mm Allen key aperture. Insert the Allen key supplied.
2. Turn your shower onto full flow at a desired showering temperature then turn the Allen Key clockwise to decrease the flow to the desired level. This will set the maximum flow to the shower.
3. Once the required flow has been set, replace the dome.

Installation

We recommend that a plumber install the **iSet™ Shower Elbow**.

For more information on iSet™, or to download technical information, visit the website www.isovalve.com

iSet™ is a registered trademarks of Isotec Ltd. © 2020 Isotec Ltd